

# MCM PANIC ROPE GRABS

 **SA**® Z259.2.5-12



## MCM YOKE N610

### Fall Arrestor

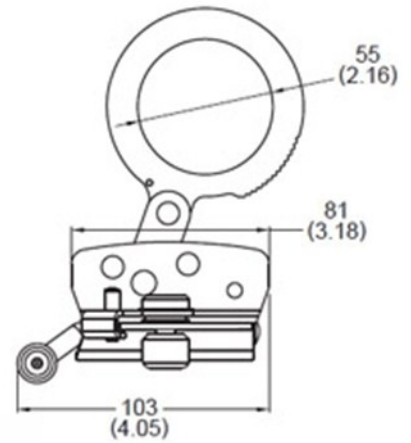
- ◆ Stainless Steel (Polished)
- ◆ Specifically design for MCM 16 mm (5/8") **Knotless Superline** or **Knotless Supermax** Vertical Lifeline Ropes
- ◆ Minimum breaking load; 2800 Lbs (13 kN)
- ◆ Certified to

CSA Standard Z259.2.5-12

ANSI Z359-1

EN 353.2

EN 362



Professional Engineers  
Ontario



**MCM ROPES & RIGGING LTD.**  

[www.mcmropes.com](http://www.mcmropes.com)