

# MCM PANIC ROPE GRABS

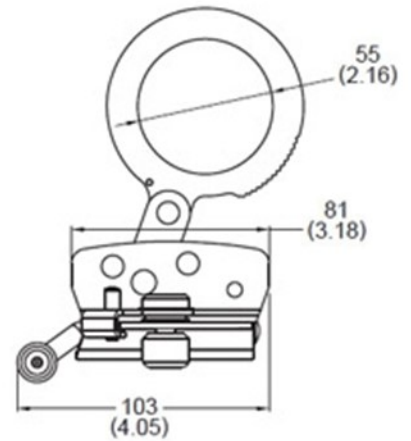
## MCM YOKE N610

### Fall Arrestor

- ◆ Stainless Steel (Polished)
- ◆ Specifically designed for MCM 16 mm (5/8") **Knotless Superline** or **Knotless Supermax** Vertical Lifeline Ropes
- ◆ Fall Arrestor is limited to one person only
- ◆ Maximum Capacity; **310 lbs** total including tools and equipment
- ◆ Certified to

**ANSI Z359.15**

**EN 353-2**



Professional Engineers  
Ontario



**MCM ROPES & RIGGING LTD.**  

[www.mcmropes.com](http://www.mcmropes.com)